

Linear Light Series

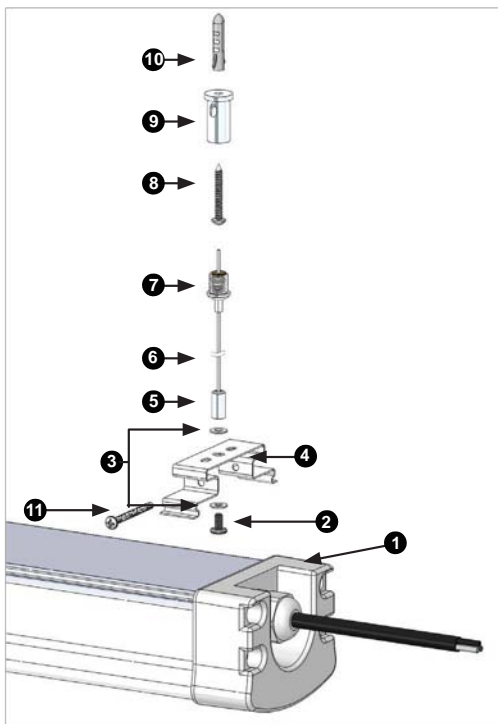
Industrial Linear LED Light Fixture

Industrial LED Light

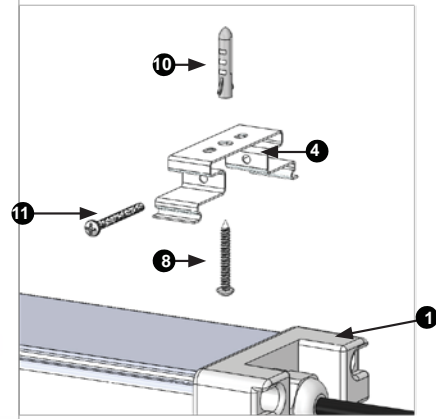
Linear LED lights are the heavy-duty, super-bright alternatives to traditional tube light

warehouse lighting, garage lighting, shop

Date _____

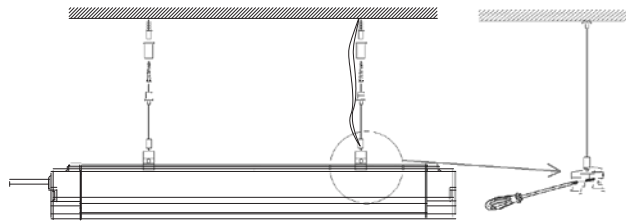


1	LED Tri-Proof Light
2	M4 x 8mm Screw
3	M4 Flat Washers
4	Mounting Bracket
5	Hanging Wire Nut
6	Hanging Wire
7	Griplock Screw
8	M4 x 30mm Phillips Screw
9	Hanging Wire Mount
10	Plastic Anchor
11	M3.5 x 40mm Locking Screw

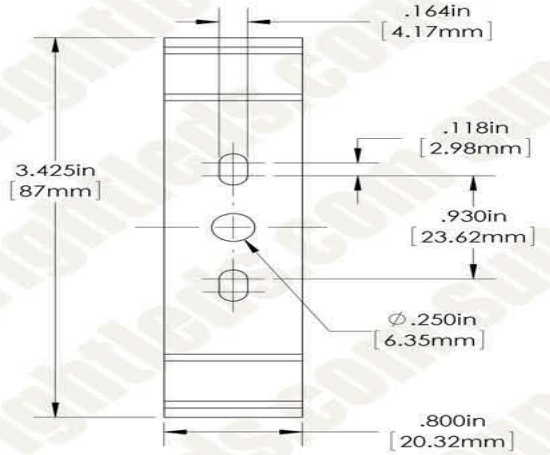
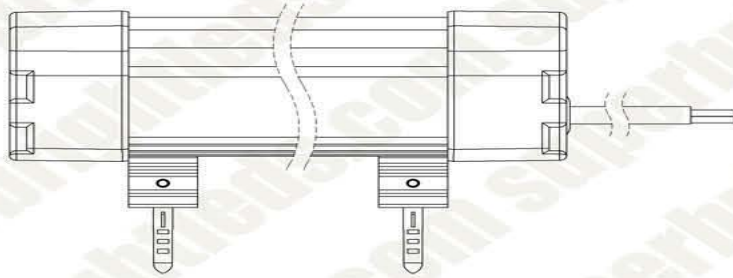
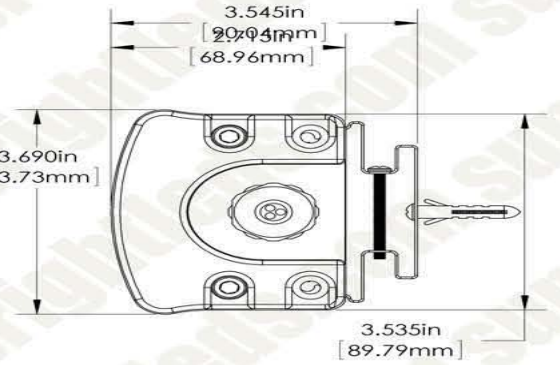
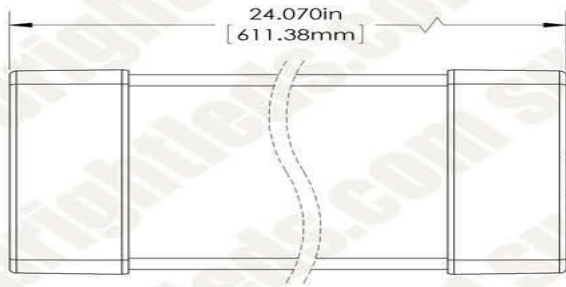


1. Hanging Installation

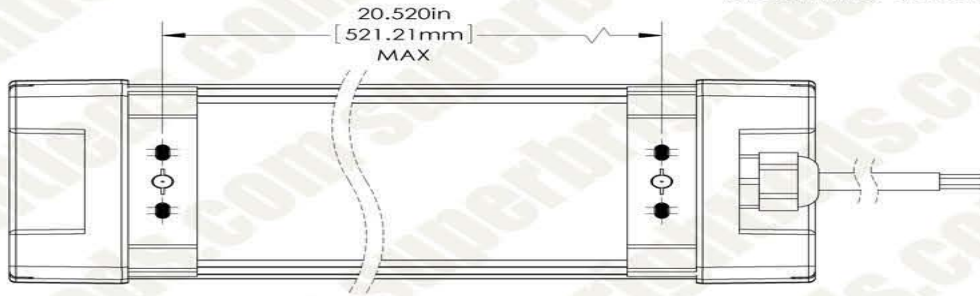
Tighten the screw with screwdriver



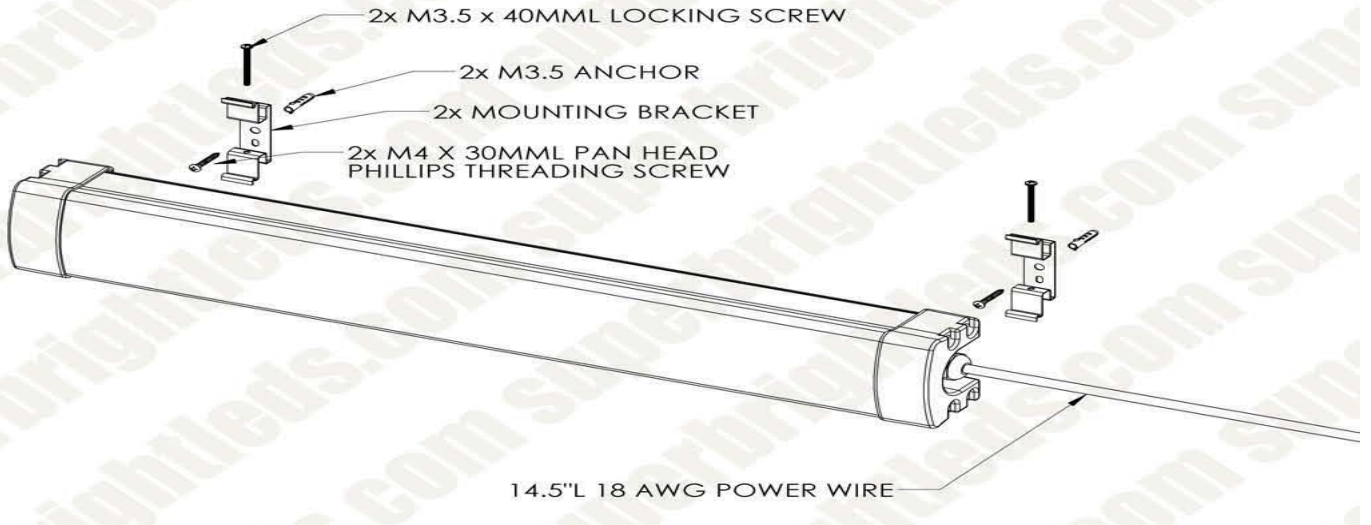
Conventional UL/VDE standard wire for 18AWG / 3 x 0.75mm²



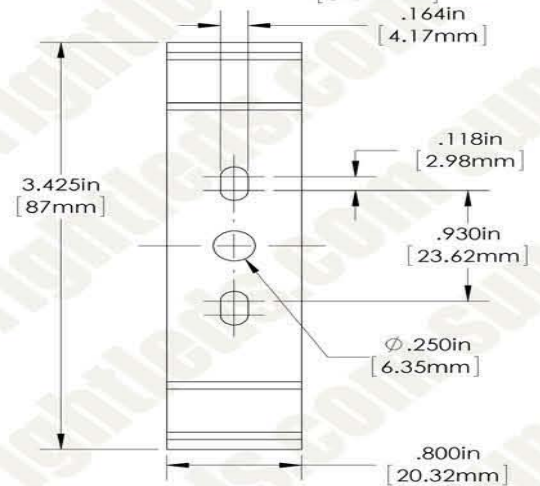
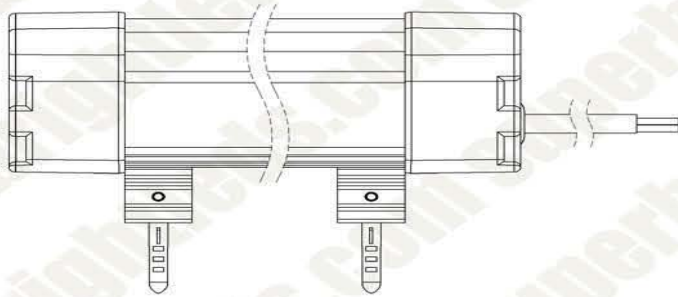
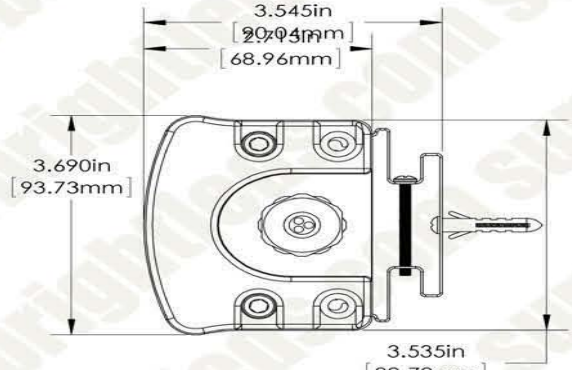
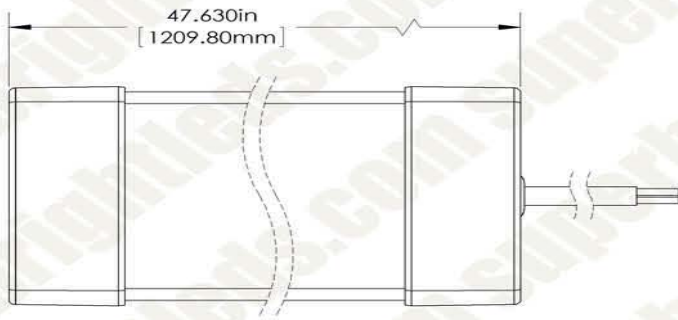
MOUNTING BRACKET



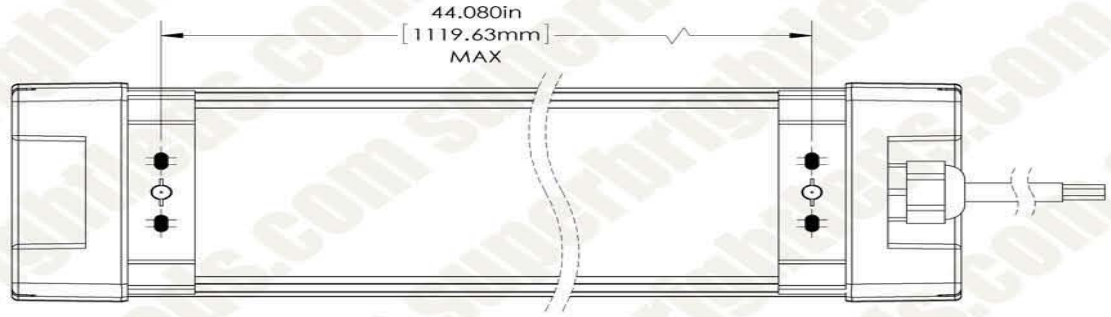
INCLUDED PARTS



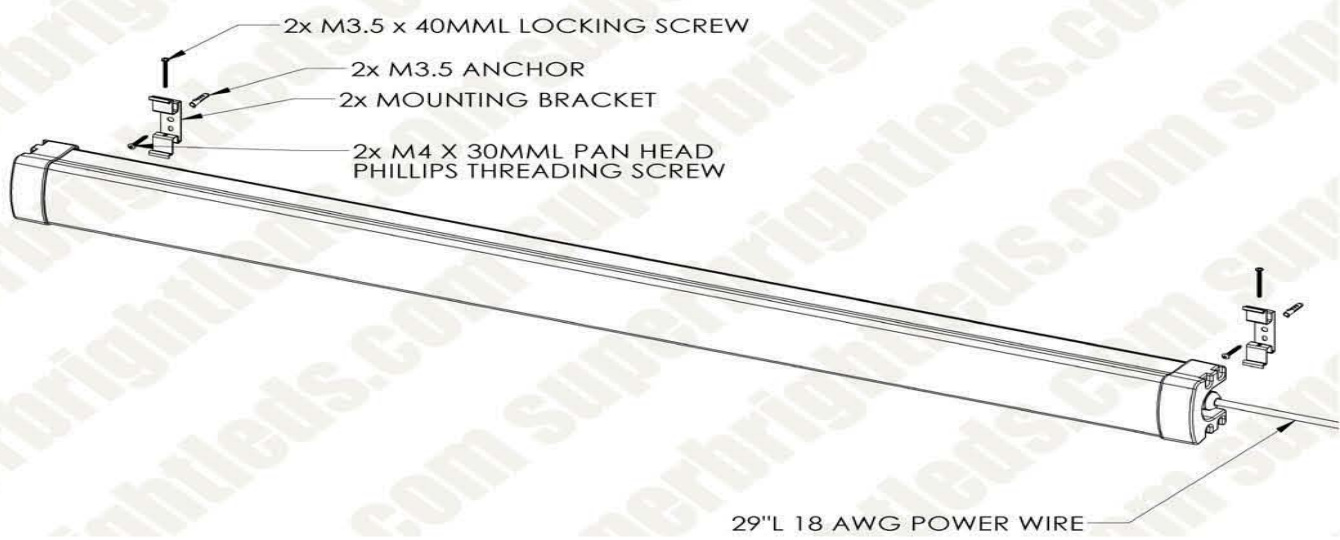
14.5\"/>



MOUNTING BRACKET



INCLUDED PARTS



29" L 18 AWG POWER WIRE