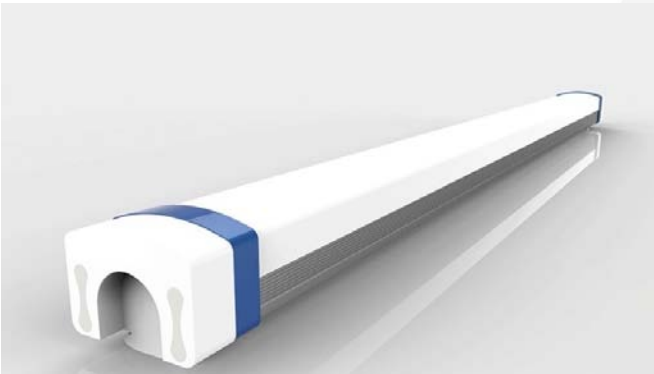


T40-PLUS

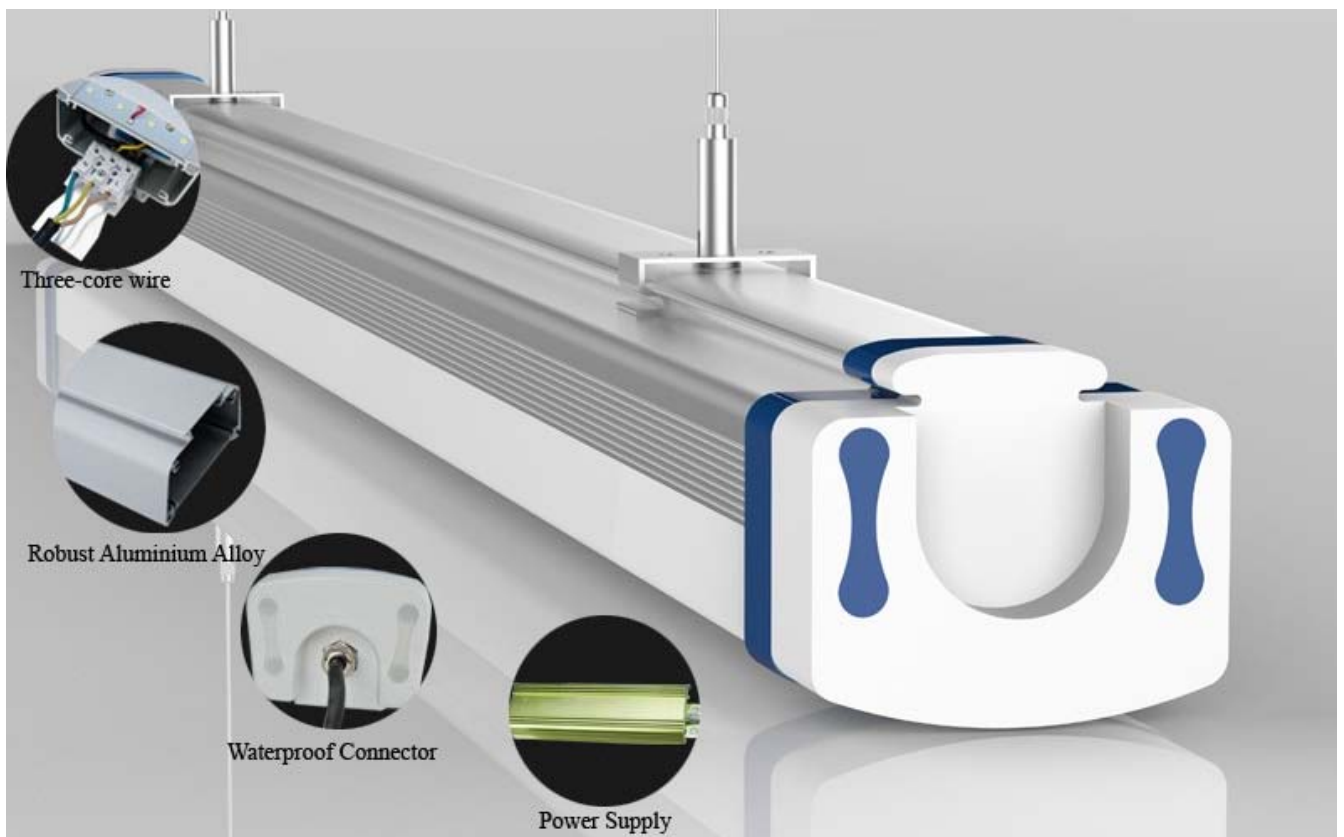


DATASHEET LED Tri-proof Light

INDEX

Product Pictures.....	2
Technology Parameter.....	3
TPSL0621-WY 0.6meter 20W.....	4
TPSL1241-WY 1.2meter 40W.....	5
TPSL1551-WY 1.5meter 50W.....	6
Dimming Options: DALI, Triac ,0-10V Dimmer	8
Sensors.....	9
Product Drawing.....	10
Installation.....	10
Packaging.....	12
Application.....	13
Certification.....	14

Product Pictures



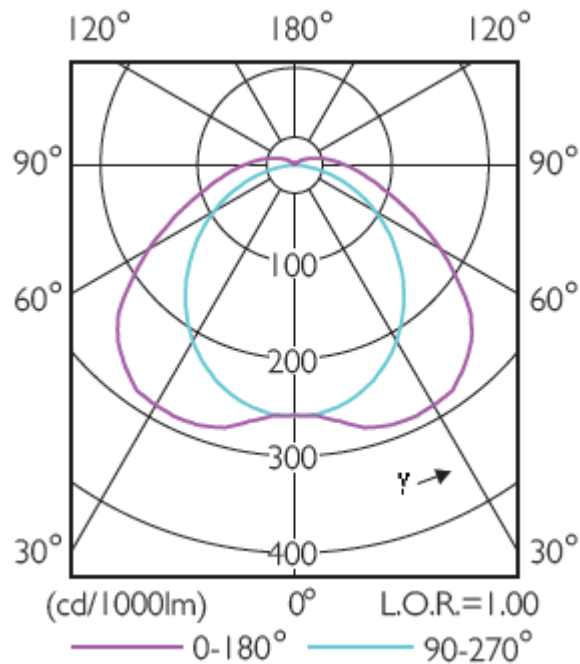
Complies with EN 12464-1:2011

UGR<19

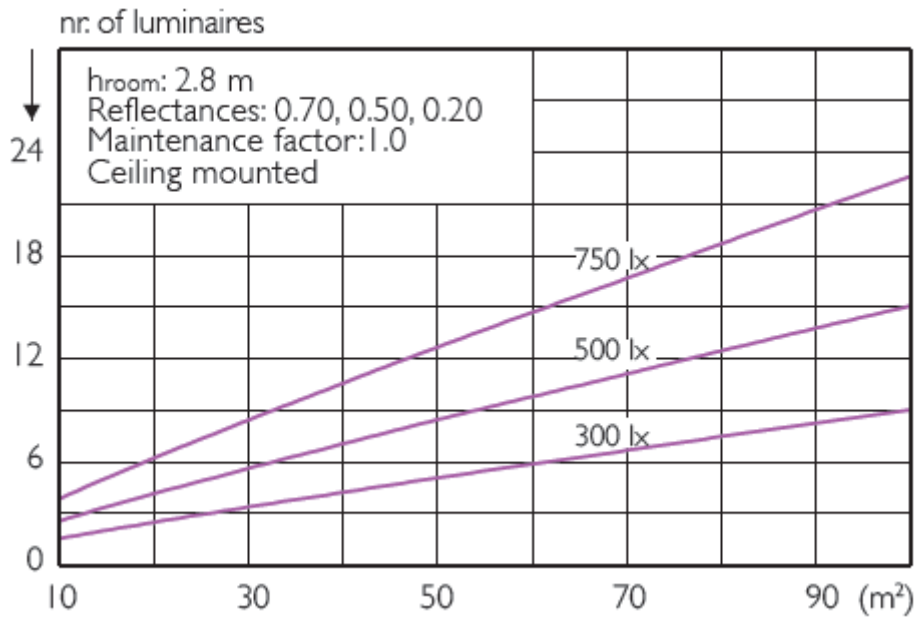
Luminance above 65° and under 1500 cd/m²

Technology Parameter

Polar Intensity Diagram



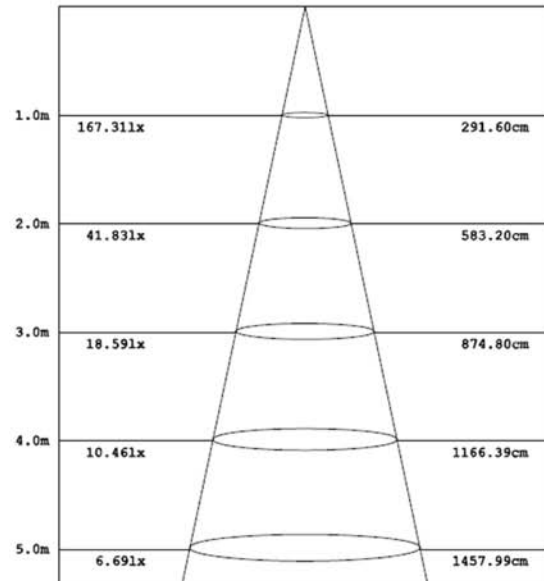
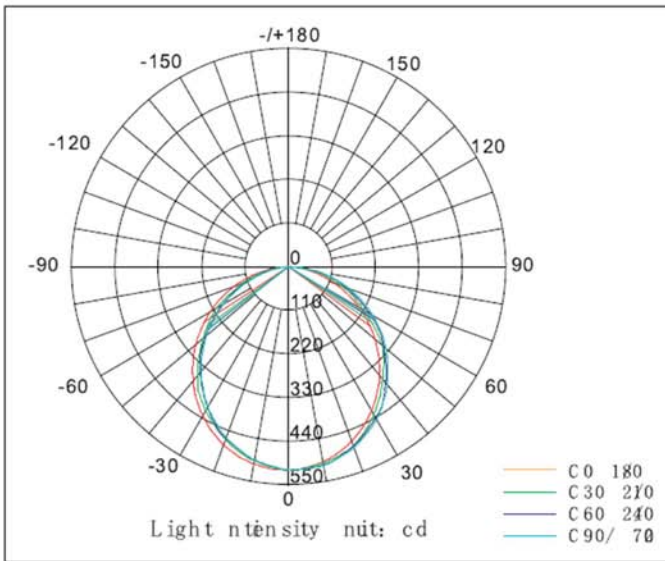
Quantity estimation diagram



TPSL0621-WY 0.6meter 20W(30W optional)

Model:	TPSL0621-WY	Type:	Indoor&Outdoor Lighting
Product Name:	LED Tri-proof Light 0.6meter	Certification:	CE (EMI, EMC), ROHS,UL,DLC,SAA, TUV
Application:	Factory/Industrial		
Product Specification			
Input Voltage	AC 100-277V		
Tri proof Light Output Voltage	DC 24-40 V		
Color Temperature	3000-3500K / 4000K - 4500K / 5000K -5500K /6000- 6500K		
Total Power (W)	20		
Total Flux (Lm)	2400-2600lm		
Efficacy (Lm/W)	120		
CRI	>82		
Beam Angle	120°		
Power Factor	0,95		
IP	IP65		
Operating Temperature	-20 °C to +50 °C		
Storage Temperature	-20 °C to +60 °C		
Life	50.000 Hours		
Dimming Options	Triac Dimmer /0-10V Dimmer, DALI		

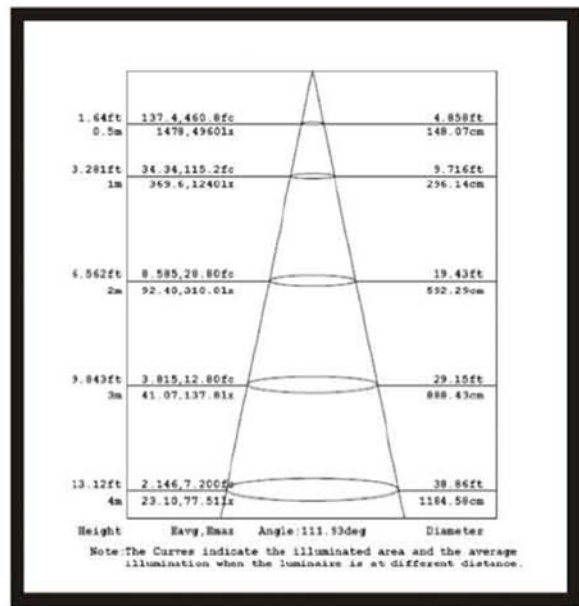
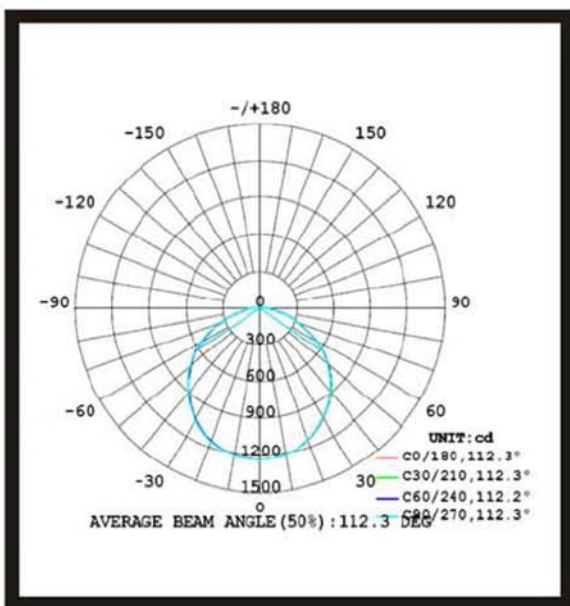
Light Distribution Graph:



TPSL1241-WY 1.2meter 40W(60W optional)

Model:	TPSL1241-WY	Type:	Indoor &Outdoor Lighting
Product Name:	LED Tri-proof Light 1.2meter	Certification:	CE (EMI, EMC), ROHS,UL,DLC,TUV,SAA
Application:	Factory/Industrial		
Product Specification			
Input Voltage	AC 100-277V		
Tri-proof light output Voltage	DC 24-40 V		
Color Temperature	3000-3500K / 4000K - 4500K / 5000K -5500K /6000- 6500K		
Total Power (W)	40		
Total Flux (Lm)	4800-5000lm		
Efficacy (Lm/W)	120		
CRI	>82		
Beam Angle	120°		
Power Factor	0,95		
IP	IP65		
Operating Temperature	-20 °C to +50 °C		
Storage Temperature	-20 °C to +60 °C		
Life	50.000 Hours		
Dimming Options	Triac Dimmer /0-10V Dimmer, DALI		

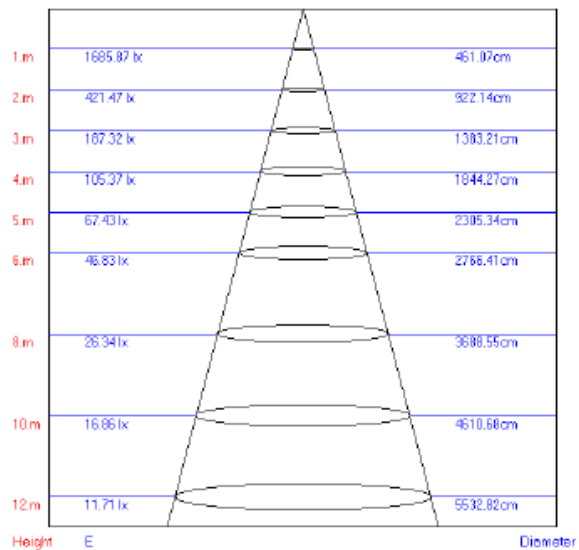
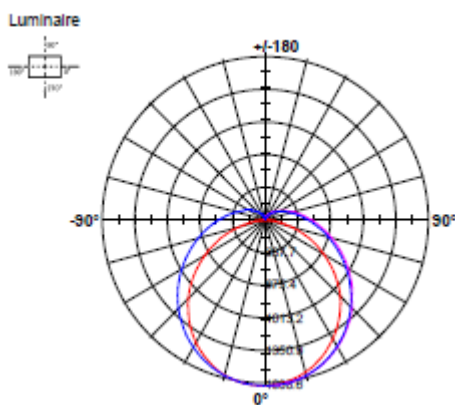
Light Distribution Graph:



TPSL1561-WY 1.5meter 50W(80W optional)

Model:	TPSL1551-WY	Type:	Indoor&Outdoor Lighting
Product Name:	LED Tri-proof Light 1.5meter	Certification:	CE (EMI, EMC), ROHS,UL,DLC , SAA,TUV
Application:	Factory/Industrial		
Product Specification			
Input Voltage	AC 100-277V		
Tri-proof light output Voltage	DC 24-40 V		
Color Temperature	3000-3500K / 4000K - 4500K / 5000K -5500K /6000- 6500K		
Total Power (W)	50		
Total Flux (Lm)	6000-6200LM		
Efficacy (Lm/W)	120		
CRI	>82		
Beam Angle	120°		
Power Factor	0,95		
IP	IP65		
Operating Temperature	-20 °C to +50 °C		
Storage Temperature	-20 °C to +60 °C		
Life	50.000 Hours		
Dimming Options	Triac Dimmer /0-10V Dimmer, DALI		

Light Distribution Grap



IP68 waterproof Connection

(1) Standard Connect , output 1meter long connect wire or 1meter long AC Plug

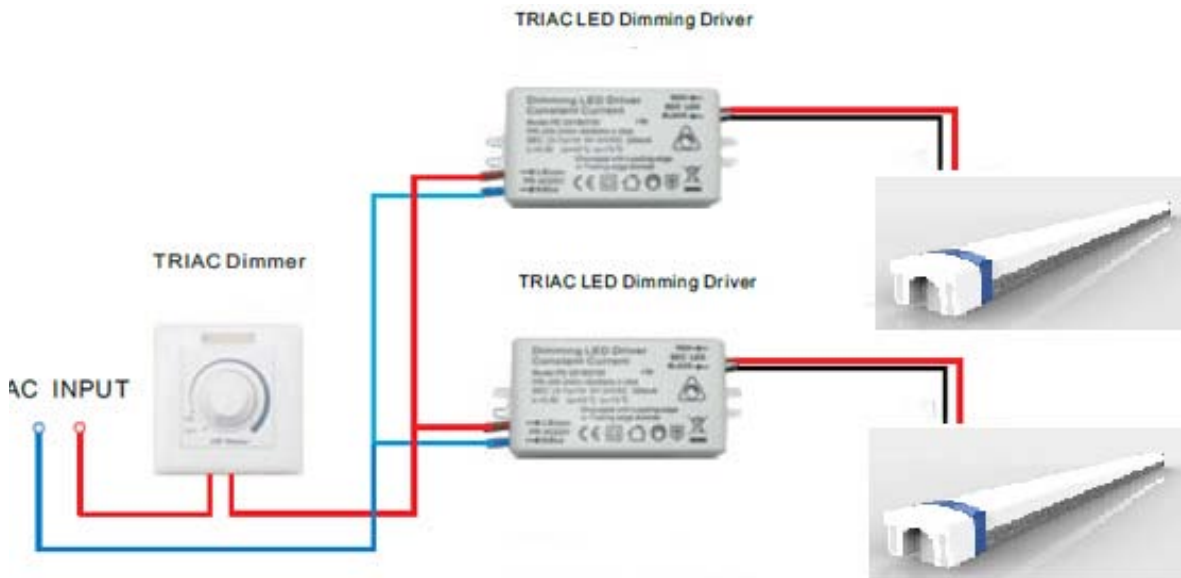


(2) Linkable connector

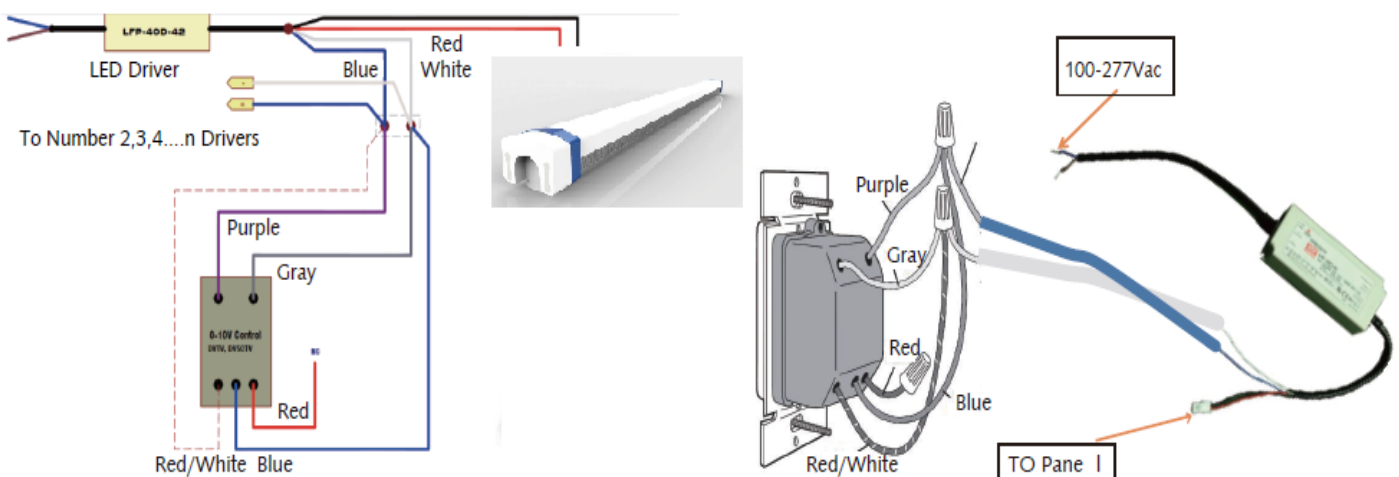


Dimming Options: Triac dimmer ,0-10V Dimmer

Wiring Diagram (Triac Dimmable panel)



Wiring Diagram(0-10V dimmable panel):



Dimmer Recommended Lutron LED 0-10V dimmer : DVTV ,DVSTV which is able to be purchased from most of electricity stores

Sensors

1. Light Sensor (wall and recessed)



Supply voltage	24V $\overline{\text{---}}$ \pm 25% SELV
MAX current consumption	20mA @ 24V $\overline{\text{---}}$
Sensor type	Photo sensor with spectral response equivalent to the human eye sensitivity
Full scale	350 lux
Resolution	0.3 lux
Measurement error	\pm 5% of full scale value
Digital input	For potential free contact, configurable as NO or NC
Operating temperature	-10 \div +50 °C
Storage temperature	-30 \div +85 °C
Protection degree	IP20

2. Presence Sensor



Supply voltage	8 \div 30V $\overline{\text{---}}$ or 12V \sim SELV
MAX current consumption	8mA in the range 8 \div 30V, excluded outputs current
Sensor	Passive infrared principle
Aperture angle	100°
Range of detection MAX	10 meters
Suggested maximum mounting height	6.5 meters
Outputs	NPN and PNP voltage outputs with internal resistance for current limitation
Delay on the outputs at the end of detection	About 4 seconds
Operating voltage	-10 \div +50 °C
Storage voltage	-30 \div +85 °C
Protection degree	IP20

3. Light And Presence Sensor



Supply voltage	24V $\overline{\text{---}}$ \pm 25% SELV
MAX current consumption	30mA @ 24V $\overline{\text{---}}$
Sensor type	Photo sensor with spectral response equivalent to the human eye sensitivity
Full scale	350 lux
Resolution	0.3 lux
Measurement error	\pm 5% of full scale value
Presence sensor	Passive infrared principle (PIR)
Aperture angle	100°
Range of detection MAX	10 meters
Digital input	configurable as NO or NC
Operating voltage	24V nominal
Input current	4mA @ 24V $\overline{\text{---}}$
Operating temperature	-10 \div +50 °C
Storage temperature	-30 \div +85 °C
Protection degree	IP20

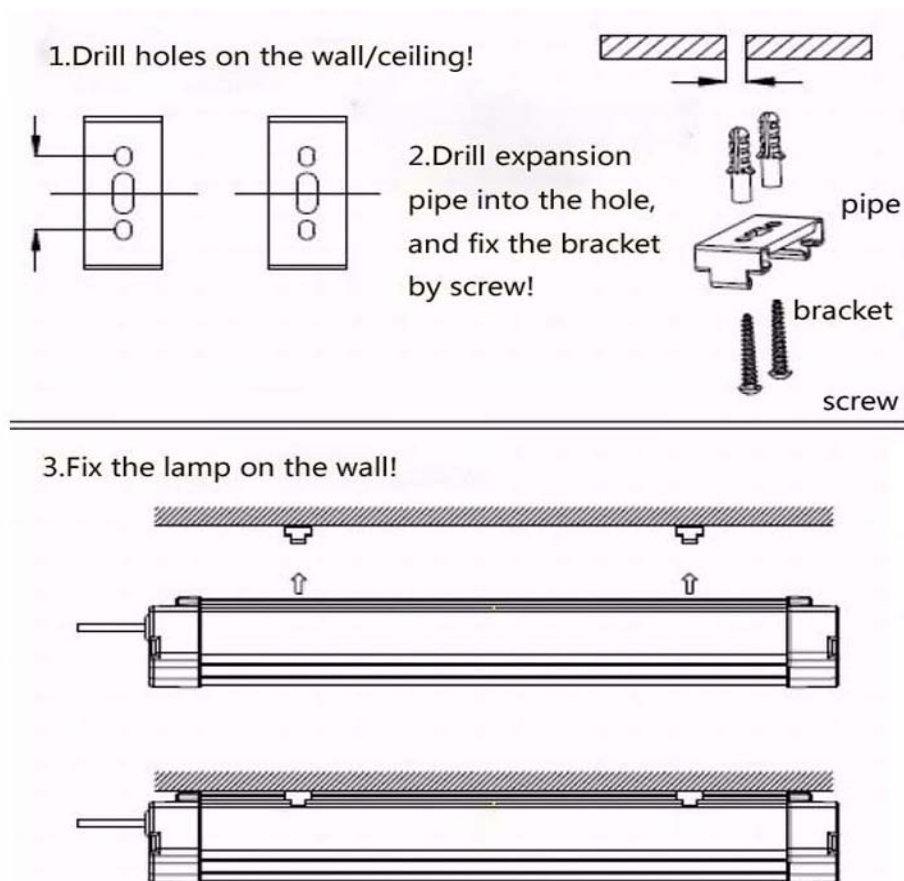
Product Drawing



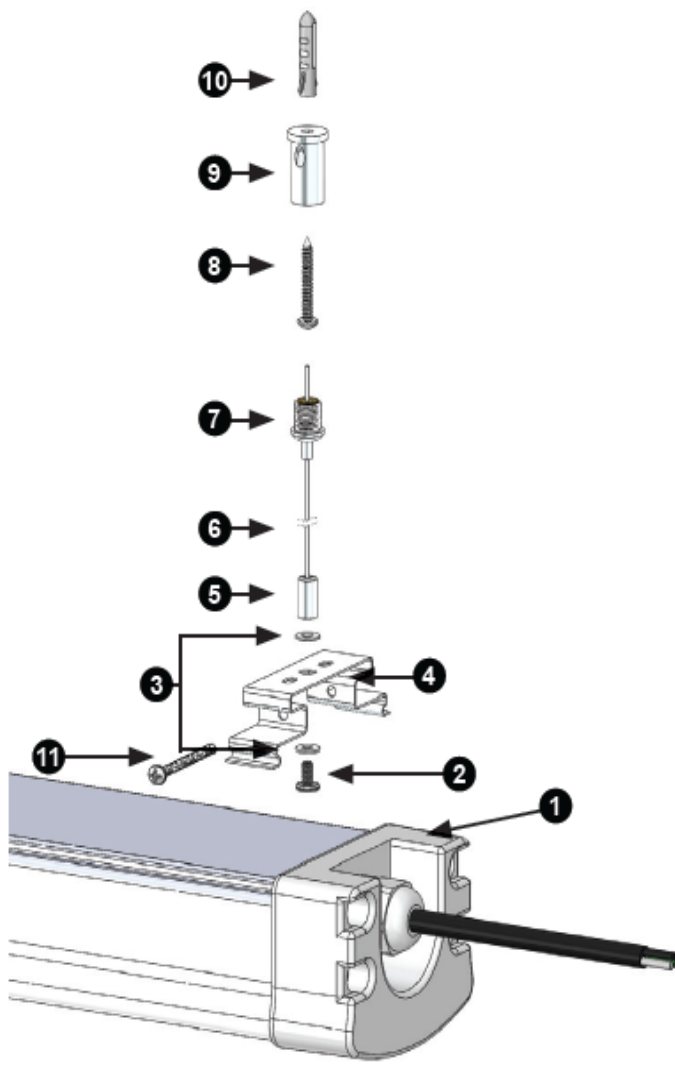
- (1) TPSL0621-WY : 600mm(L)*84mm(W)*71mm(H)
- (2) TPSL1241-WY : 1200mm(L)*84mm(W)*71mm(H)
- (3) TPSL1561-WY : 1500mm(L)*84mm(W)*71mm(H)

Installation

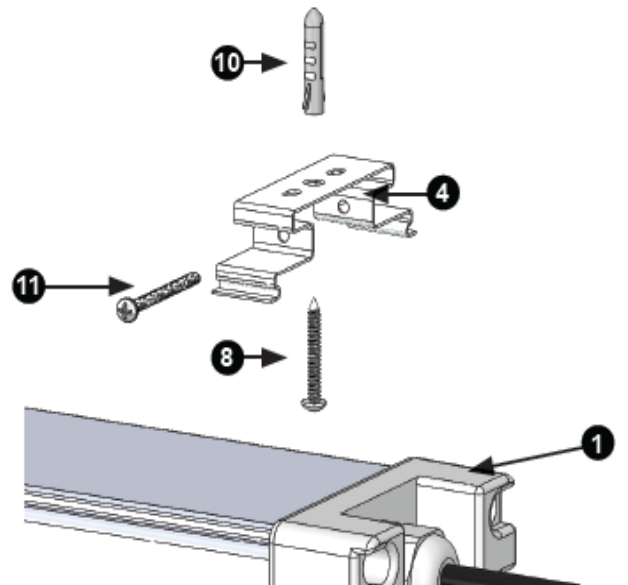
(1) Ceiling Mounted



(2) Suspending

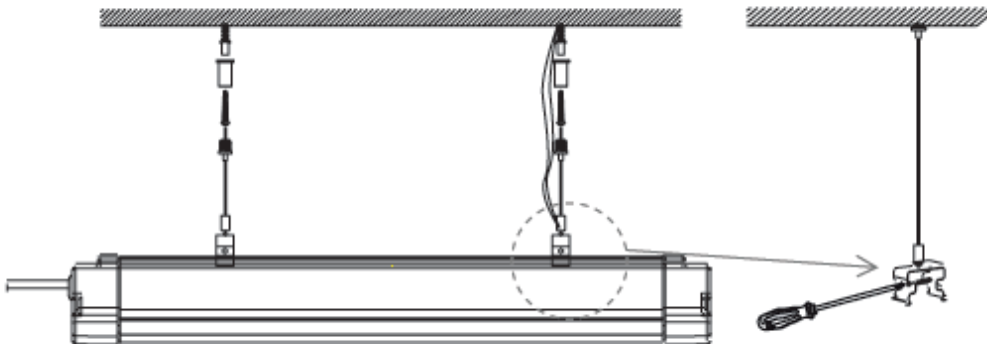


1	LED Tri-Proof Light
2	M4 x 8mm Screw
3	M4 Flat Washers
4	Mounting Bracket
5	Hanging Wire Nut
6	Hanging Wire
7	Griplock Screw
8	M4 x 30mm Phillips Screw
9	Hanging Wire Mount
10	Plastic Anchor
11	M3.5 x 40mm Locking Screw



1. Hanging Installation

Tighten the screw with screwdriver

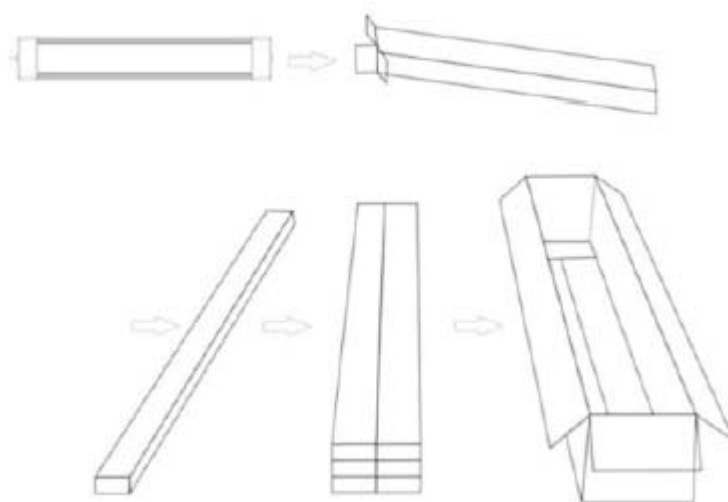


Conventional UL/VDE standard wire for 18AWG / 3 x 0.75mm²

Packaging

Package Details

Inner single box	Carton Size(mm)	Qty/Cartion(PCS)	N.W./PCS(KG)	G.W./Carton(KG)
1PCS	L685*W307*H223	6PCS	1.87KG	12.36KG
1PCS	L1285*W307*H223	6PCS	3.34KG	22.15KG
1PCS	L1585*W307*H223	6PCS	3.91KG	26.68KG



Application

Production Workshop



Parking Area



Semi-outdoor Roof



Public Areas



Food Processing



Underpass



Certification

We already get : UL&CUL(E483478), DLC ,TUV-CE ,IP65 certification

NOTICE OF COMPLETION
AND
AUTHORIZATION TO APPLY THE UL MARK



5/16/2016

MR. TONY TAN
MSD LIGHTING CO LTD
FLAT/RM 1502 (38) EASEY COMMERCIAL BUILDING
235-261 HENNESSY RD
WANCHAI, HK

Our Reference: File E483478, Vol.1 Project 4787397516
Your Reference: UL Quote#1101158395 (Accept date : 31-Mar-2016)
Project Scope: UL and CUL - LED Surface-mounted Luminaire, Ceiling, Models HB-100M,
HB-150M, HB-200M, TPSSL0621-WX, TPSSL1241-WX, TPSSL1261-WX,
TPSSL1551-WX and TPSSL1581-WX.

Dear MR. TONY TAN:

Congratulations! UL's investigation of your product(s) has been completed under the above Reference Number and the product was determined to comply with the applicable requirements. This letter temporarily supplements the UL Follow-Up Services Procedure and serves as authorization to apply the UL Mark at authorized factories under UL's Follow-Up Service Program. To provide your manufacturer(s) with the intended authorization to use the UL Mark, you must send a copy of this notice to each

