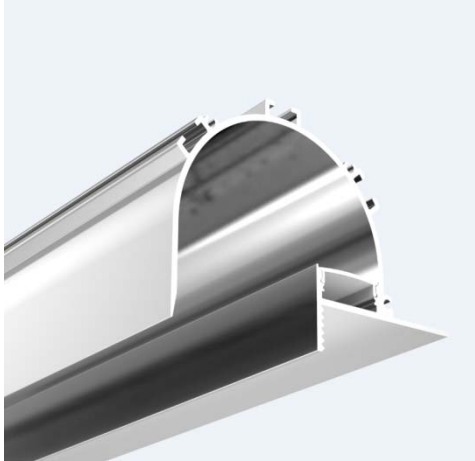


MS-P10167 SPECIFICATION SHEET



Our MS-P10167 Profile is designed to be used in drywall applications. its aluminum extrusion is designed to house our LED strip or LED Tape making it easy to create your own LED Ceiling Lights. The aluminum LED Track affords excellent heat sink properties to provide maximum life to your led strip lights.

FEATURES

- According to your installation occasions for you to make the plan
- DIY products to do the pattern as you like
- For Wholesale, Retails, Project, Building, Distribution sales channels

SPECIFICATIONS

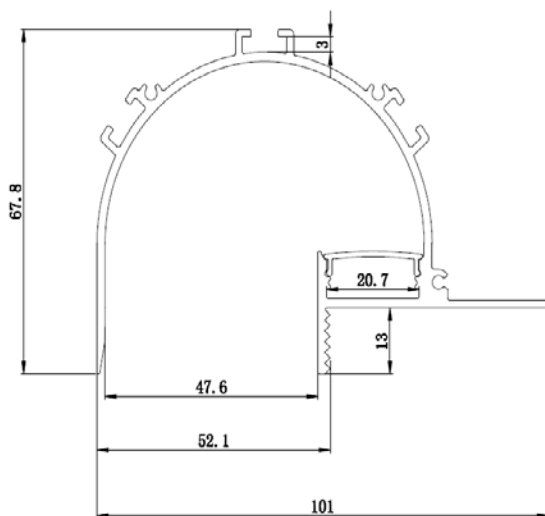
TYPE	Recessed mount
AVAILABLE LIGHTS	8mm,10mm,12mm,16mm
FINISH	Anodized
Length	0.5~3meters

COMPONENTS

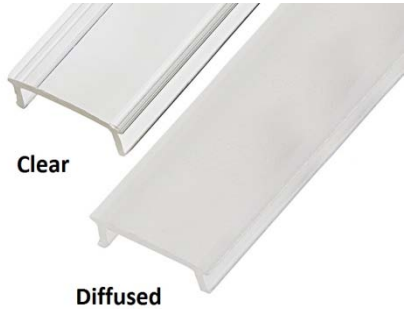
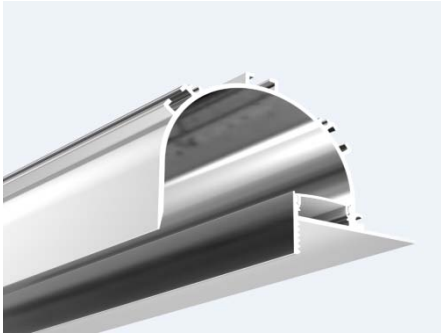

Aluminum	6063T5 Aircraft Aluminum
PC Cover	Clear/Diffused
Fix Cilps	Metal

Compatible with LED strips up to 20mm wide.
 LED tape light sold separately.
 Remote mounted low voltage power supply sold separately.
 Power supplies also available in 120v and 227v options

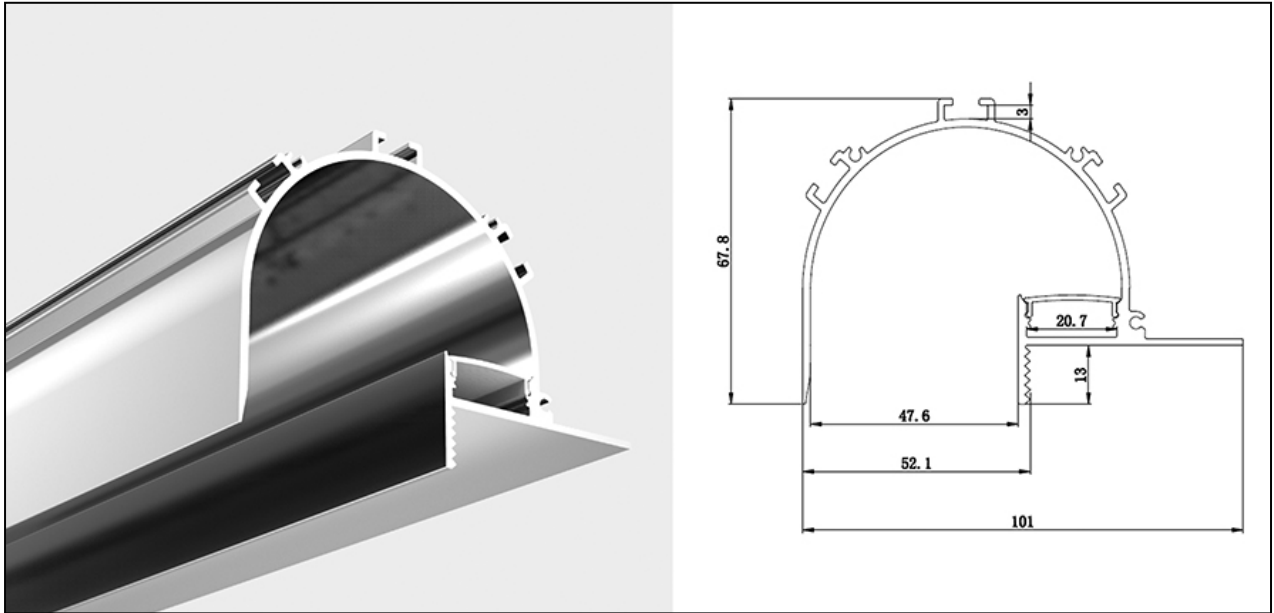
1meter profile include 1m aluminum and 1m pc cover
 1meter profile include 2 pcs end caps
 Custom color finishes available (powder coating).

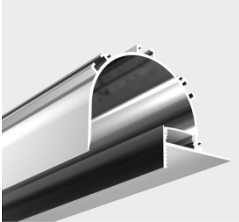


COMPONENTS | ACCESSORIES

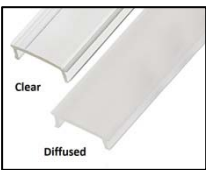
<p>MS-P10167 Plastic PC Cover</p> <p>TYPE Clear/ Diffused</p> <p>LENGTH 0.5~3meters</p>	 <p>Clear</p> <p>Diffused</p>
<p>MS-P10167 Aluminum</p> <p>MOUNT Recessed</p> <p>LENGTH 0.5~3meters</p>	
<p>MS-P8016 Fix Clip</p> <p>Two end caps included with every Aluminum It's material is metal</p>	

INSTALLATION



MS-P8016	Length	led strip width	surface finish
	1m(standard) 2m(standard) 3m(standard)	1x LED strip Max 20mm	Anodized

Standard



Our MS-P10167 Profile is designed to be used in drywall applications. its aluminum extrusion is designed to house our LED strip or LED Tape making it easy to create your own LED Ceiling Lights. The aluminum LED Track affords excellent heat sink properties to provide maximum life to your led strip lights.



