
T16-PLUS

Linkable

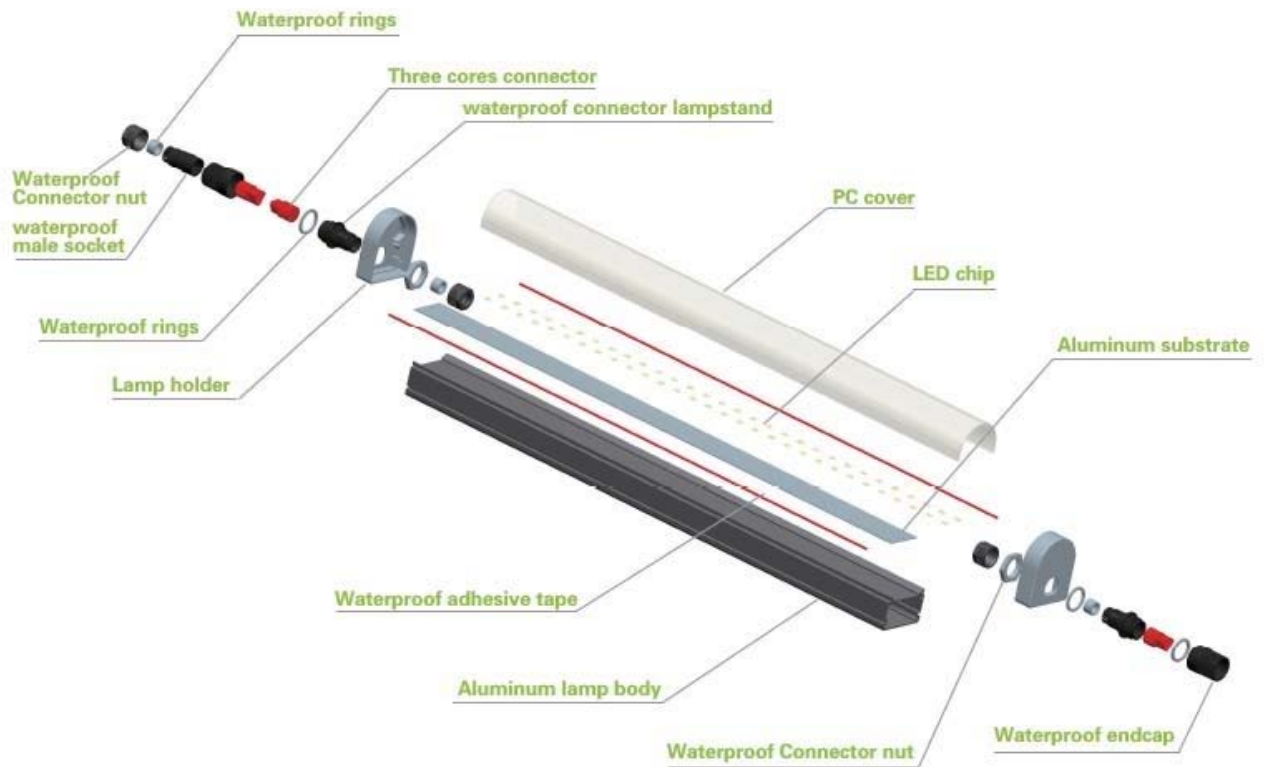


DATASHEET LED Tri-proof Light

INDEX

Product Pictures.....	2
Technology Parameter.....	3
TPSL0621-WX 0.6meter 20W.....	4
TPSL1241-WX 1.2meter 40W.....	5
TPSL1551-WX 1.5meter 50W.....	6
Dimming Options: DALI, Triac ,0-10V Dimmer	8
Sensors.....	9
Product Drawing.....	10
Installation.....	10
Packaging.....	12
Application.....	13

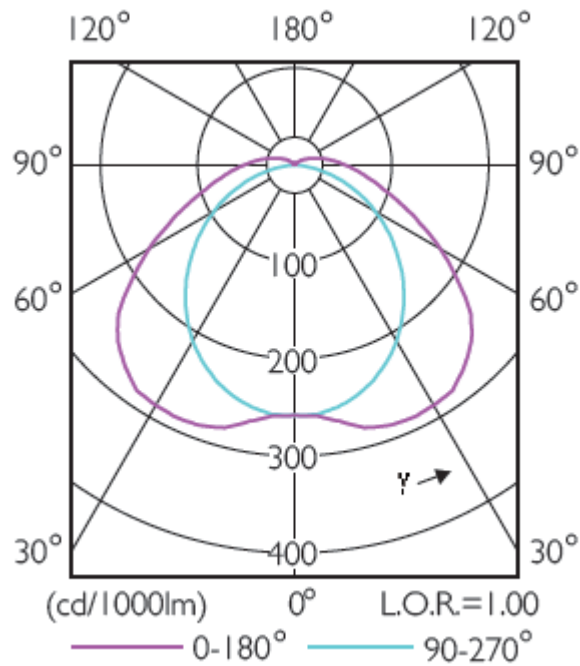
Product Pictures



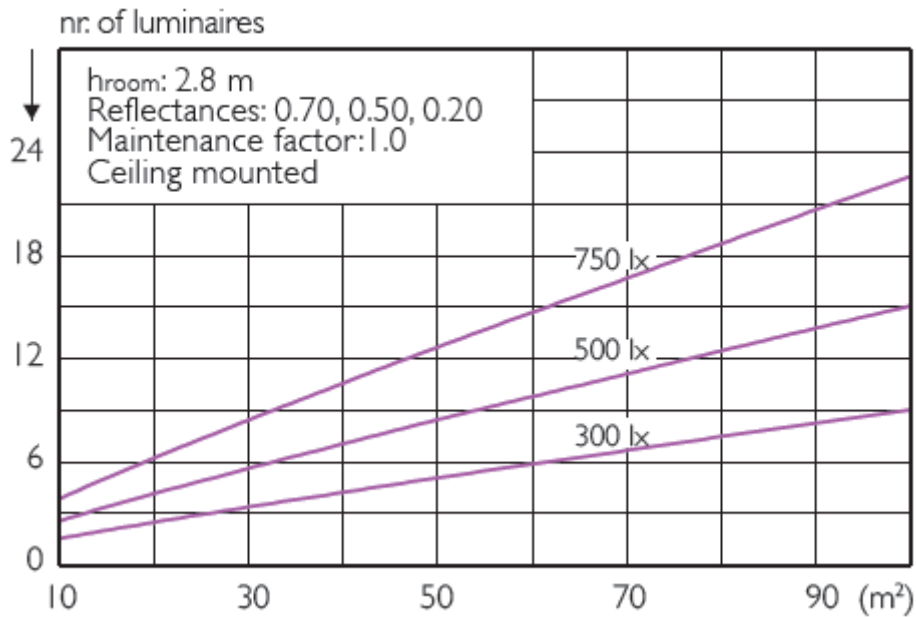
Complies with EN 12464-1:2011
 UGR<19
 Luminance above 65° and under 1500 cd/m²

Technology Parameter

Polar Intensity Diagram



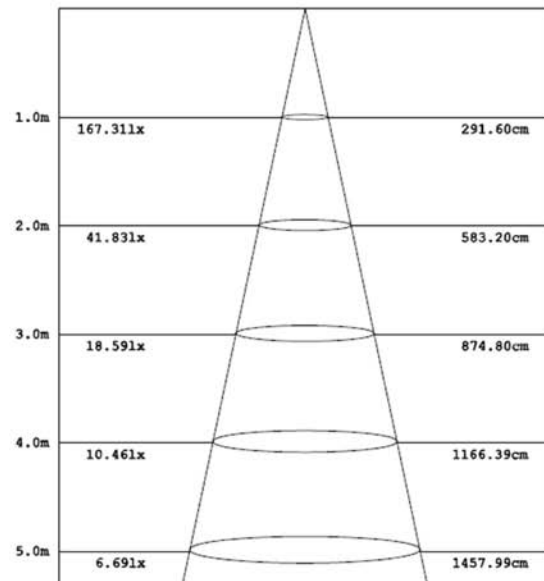
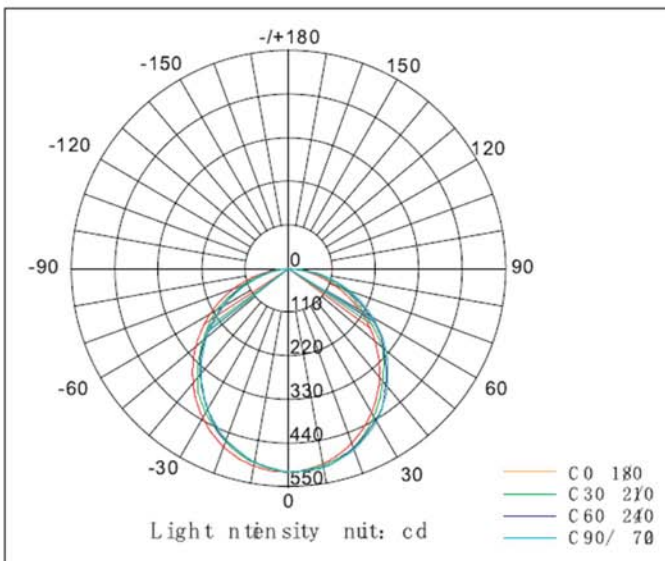
Quantity estimation diagram



TPSL0621-WX 0.6meter 20W

Model:	TPSL0621-WX	Type:	Indoor&Outdoor Lighting
Product Name:	LED Tri-proof Light 0.6meter	Certification:	CE (EMI, EMC), ROHS,UL,DLC,SAA, TUV
Application:	Factory/Industrial		
Product Specification			
Input Voltage	AC 100-277V		
Tri proof Light Output Voltage	DC 24-40 V		
Color Temperature	3000-3500K / 4000K - 4500K / 5000K -5500K /6000- 6500K		
Total Power (W)	20		
Total Flux (Lm)	2300-2500lm		
Efficacy (Lm/W)	115		
CRI	>85		
Beam Angle	150°		
Power Factor	0,95		
IP	IP65		
Operating Temperature	-20 °C to +50 °C		
Storage Temperature	-20 °C to +60 °C		
Life	50.000 Hours		
Dimming Options	Triac Dimmer /0-10V Dimmer, DALI		

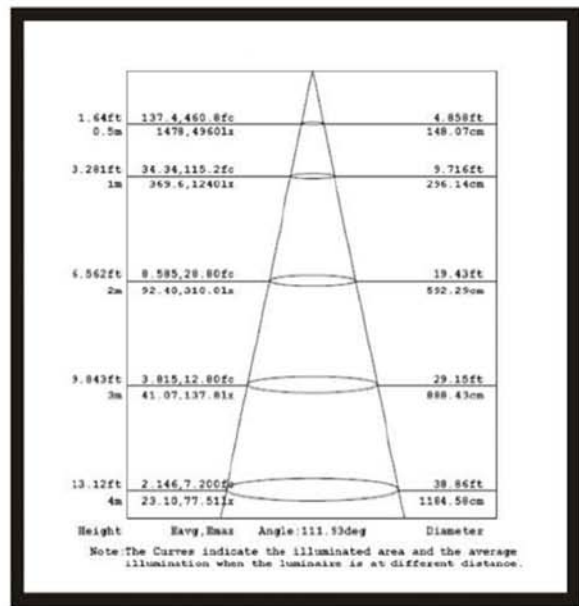
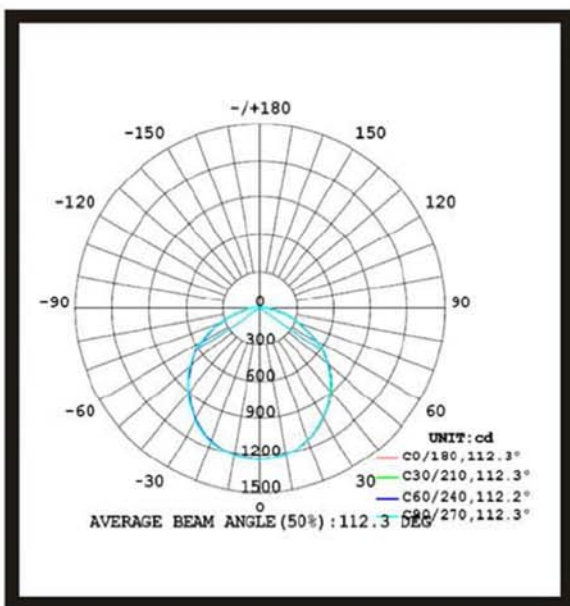
Light Distribution Graph:



TPSL1241-WX 1.2meter 40W

Model:	TPSL1241-WX	Type:	Indoor &Outdoor Lighting
Product Name:	LED Tri-proof Light 1.2meter	Certification:	CE (EMI, EMC), ROHS,UL,DLC,TUV,SAA
Application:	Factory/Industrial		
Product Specification			
Input Voltage	AC 100-277V		
Tri-proof light output Voltage	DC 24-40 V		
Color Temperature	3000-3500K / 4000K - 4500K / 5000K -5500K /6000- 6500K		
Total Power (W)	40		
Total Flux (Lm)	4400-4600lm		
Efficacy (Lm/W)	115		
CRI	>85		
Beam Angle	150°		
Power Factor	0,95		
IP	IP65		
Operating Temperature	-20 °C to +50 °C		
Storage Temperature	-20 °C to +60 °C		
Life	50.000 Hours		
Dimming Options	Triac Dimmer /0-10V Dimmer, DALI		

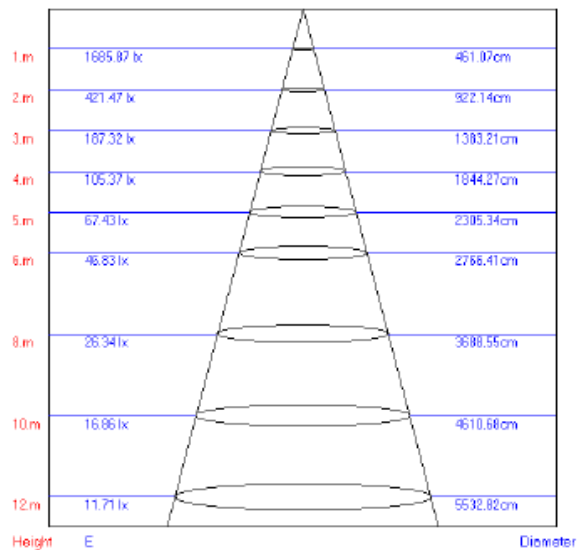
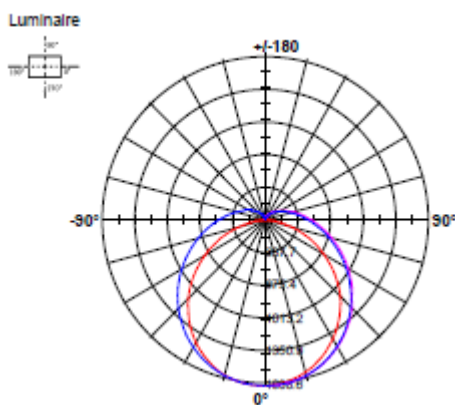
Light Distribution Graph:



TPSL1561-WX 1.5meter 50W

Model:	TPSL1551-WX	Type:	Indoor&Outdoor Lighting
Product Name:	LED Tri-proof Light 1.5meter	Certification:	CE (EMI, EMC), ROHS,UL,DLC , SAA,TUV
Application:	Factory/Industrial		
Product Specification			
Input Voltage	AC 100-277V		
Tri-proof light output Voltage	DC 24-40 V		
Color Temperature	3000-3500K / 4000K - 4500K / 5000K -5500K /6000- 6500K		
Total Power (W)	50		
Total Flux (Lm)	5500-5700LM		
Efficacy (Lm/W)	115		
CRI	>85		
Beam Angle	150°		
Power Factor	0,95		
IP	IP65		
Operating Temperature	-20 °C to +50 °C		
Storage Temperature	-20 °C to +60 °C		
Life	50.000 Hours		
Dimming Options	Triac Dimmer /0-10V Dimmer, DALI		

Light Distribution Grap



IP68 waterproof Connection

(1) Standard Connect

AC Input Plug

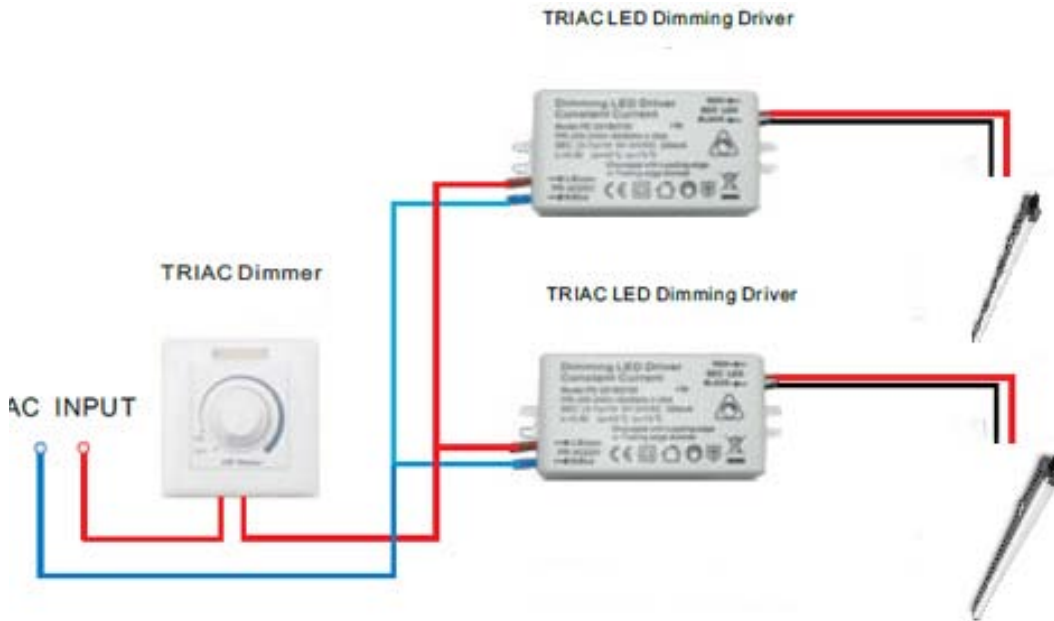


Middle Connector

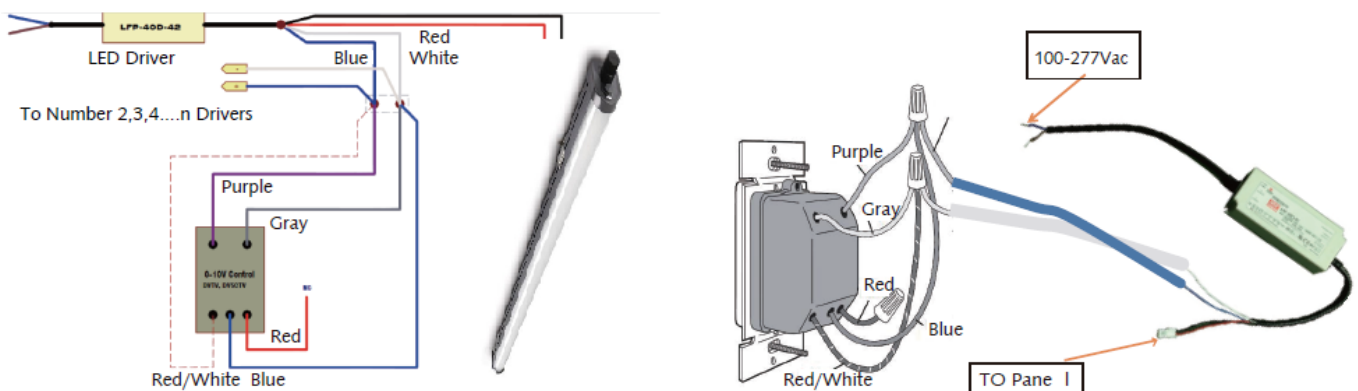


Dimming Options: Triac dimmer ,0-10V Dimmer

Wiring Diagram (Triac Dimmable panel)



Wiring Diagram(0-10V dimmable panel):



Dimmer Recommended Lutron LED 0-10V dimmer : DDTV ,DVSVCTV which is able to be purchased from most of electricity stores

Sensors

1. Light Sensor (wall and recessed)



Supply voltage	24V $\overline{\text{---}}$ \pm 25% SELV
MAX current consumption	20mA @ 24V $\overline{\text{---}}$
Sensor type	Photo sensor with spectral response equivalent to the human eye sensitivity
Full scale	350 lux
Resolution	0.3 lux
Measurement error	\pm 5% of full scale value
Digital input	For potential free contact, configurable as NO or NC
Operating temperature	-10 \div +50 °C
Storage temperature	-30 \div +85 °C
Protection degree	IP20

2. Presence Sensor



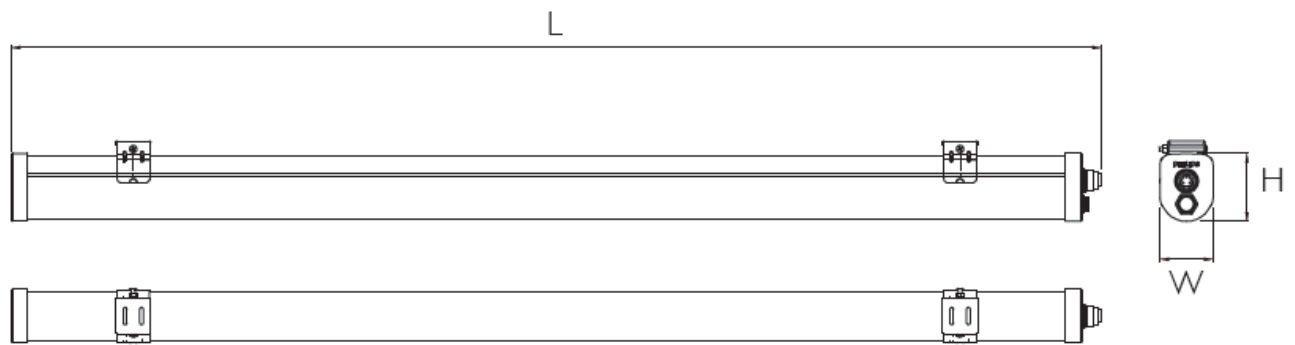
Supply voltage	8 \div 30V $\overline{\text{---}}$ or 12V \sim SELV
MAX current consumption	8mA in the range 8 \div 30V, excluded outputs current
Sensor	Passive infrared principle
Aperture angle	100°
Range of detection MAX	10 meters
Suggested maximum mounting height	6.5 meters
Outputs	NPN and PNP voltage outputs with internal resistance for current limitation
Delay on the outputs at the end of detection	About 4 seconds
Operating voltage	-10 \div +50 °C
Storage voltage	-30 \div +85 °C
Protection degree	IP20

3. Light And Presence Sensor



Supply voltage	24V $\overline{\text{---}}$ \pm 25% SELV
MAX current consumption	30mA @ 24V $\overline{\text{---}}$
Sensor type	Photo sensor with spectral response equivalent to the human eye sensitivity
Full scale	350 lux
Resolution	0.3 lux
Measurement error	\pm 5% of full scale value
Presence sensor	Passive infrared principle (PIR)
Aperture angle	100°
Range of detection MAX	10 meters
Digital input	configurable as NO or NC
Operating voltage	24V nominal
Input current	4mA @ 24V $\overline{\text{---}}$
Operating temperature	-10 \div +50 °C
Storage temperature	-30 \div +85 °C
Protection degree	IP20

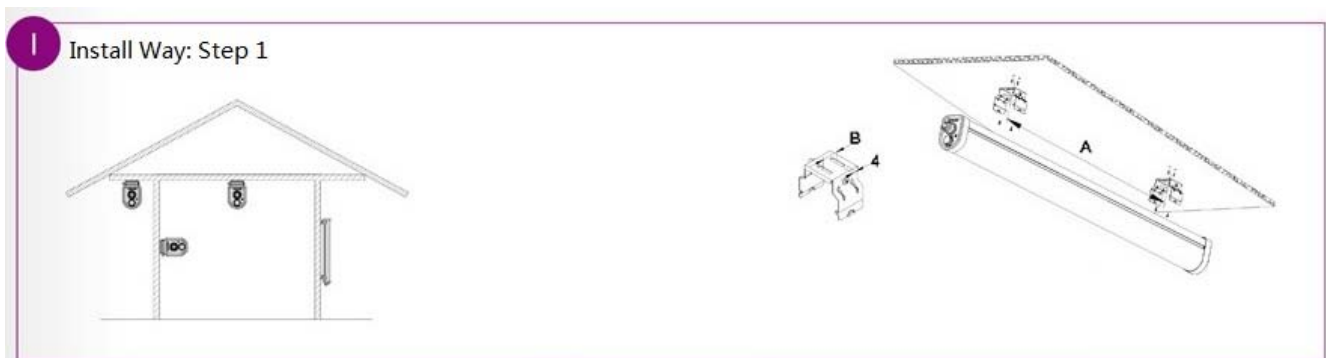
Product Drawing



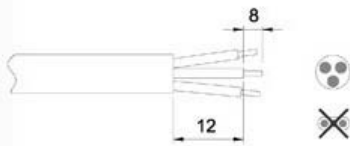
- (1) TPSL0621-WX : 600mm(L)*45mm(W)*70mm(H)
- (2) TPSL1241-WX : 1200mm(L)*45mm(W)*70mm(H)
- (3) TPSL1561-WX : 1500mm(L)*45mm(W)*70mm(H)

Installation

- (1) Ceiling Mounted

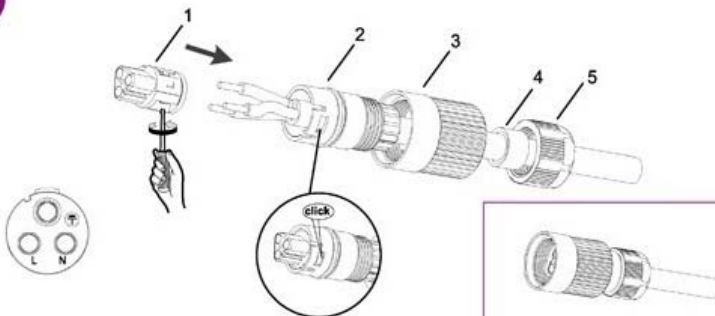


2-a Step 2: the connect way

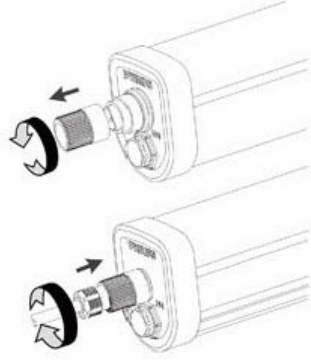


Cable:

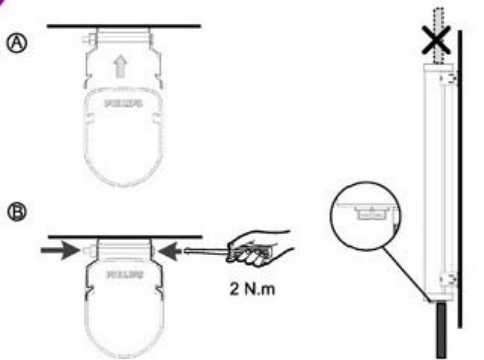
2-b



2-c



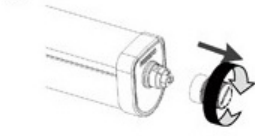
2-d



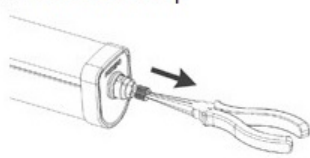
2 N.m

3 Connect In Series

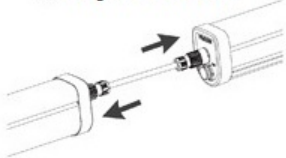
A Remove the dust cover



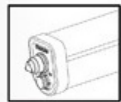
B Pull out the clasp



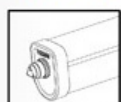
C Plug the connector



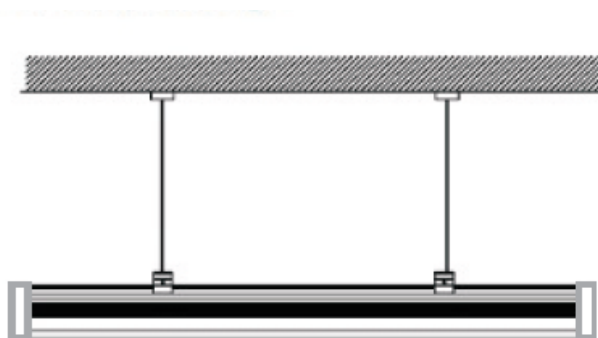
Input End Caps



Output End Caps



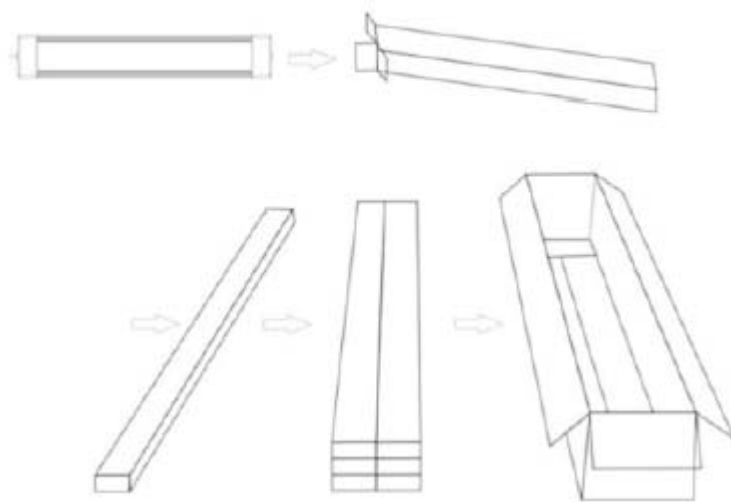
(2) Suspending



Packaging

Package Details

Inner Package Size(mm)	Carton Size(mm)	Qty/Cartion(PCS)	N.W./Cartion(KG)	G.W./Carton(KG)
L740*W100*H90	L830*W310*H470	12PCS	13.2KG	15.2KG
L1340*W100*H90	L1430*W310*H470	12PCS	23.4KG	26.4KG
L1640*W100*H90	L1730*W310*H470	12PCS	28.8KG	31.8KG



Application

Production Workshop



Parking Area



Semi-outdoor Roof



Public Areas



Food Processing



Underpass



Certification

We already get : UL&CUL(E483478), DLC ,TUV-CE ,IP65 certification

NOTICE OF COMPLETION
AND
AUTHORIZATION TO APPLY THE UL MARK



5/16/2016

MR. TONY TAN
MSD LIGHTING CO LTD
FLAT/RM 1502 (38) EASEY COMMERCIAL BUILDING
235-261 HENNESSY RD
WANCHAI, HK

Our Reference: File E483478, Vol.1 Project 4787397516
Your Reference: UL Quote#1101158395 (Accept date : 31-Mar-2016)
Project Scope: UL and CUL - LED Surface-mounted Luminaire, Ceiling, Models HB-100M,
HB-150M, HB-200M, TPSL0621-WX, TPSL1241-WX, TPSL1261-WX,
TPSL1551-WX and TPSL1581-WX.

Dear MR. TONY TAN:

Congratulations! UL's investigation of your product(s) has been completed under the above Reference Number and the product was determined to comply with the applicable requirements. This letter temporarily supplements the UL Follow-Up Services Procedure and serves as authorization to apply the UL Mark at authorized factories under UL's Follow-Up Service Program. To provide your manufacturer(s) with the intended authorization to use the UL Mark, you must send a copy of this notice to each

