

User Manual

IP65 Linkable LED Batten Light Fixture

Important: Read all instructions prior to installation

Included Parts(Standard Package)

- 1 LED Batten Light Fixture(1PCS)
- 2 Waterproof Female Connector(1PCS)
- 3 Mounting Bracket(2PCS)

Maximum Continuous Run Not to Exceed 1000 Watts of Combined Lights

Recommended Accessories

Power Cord

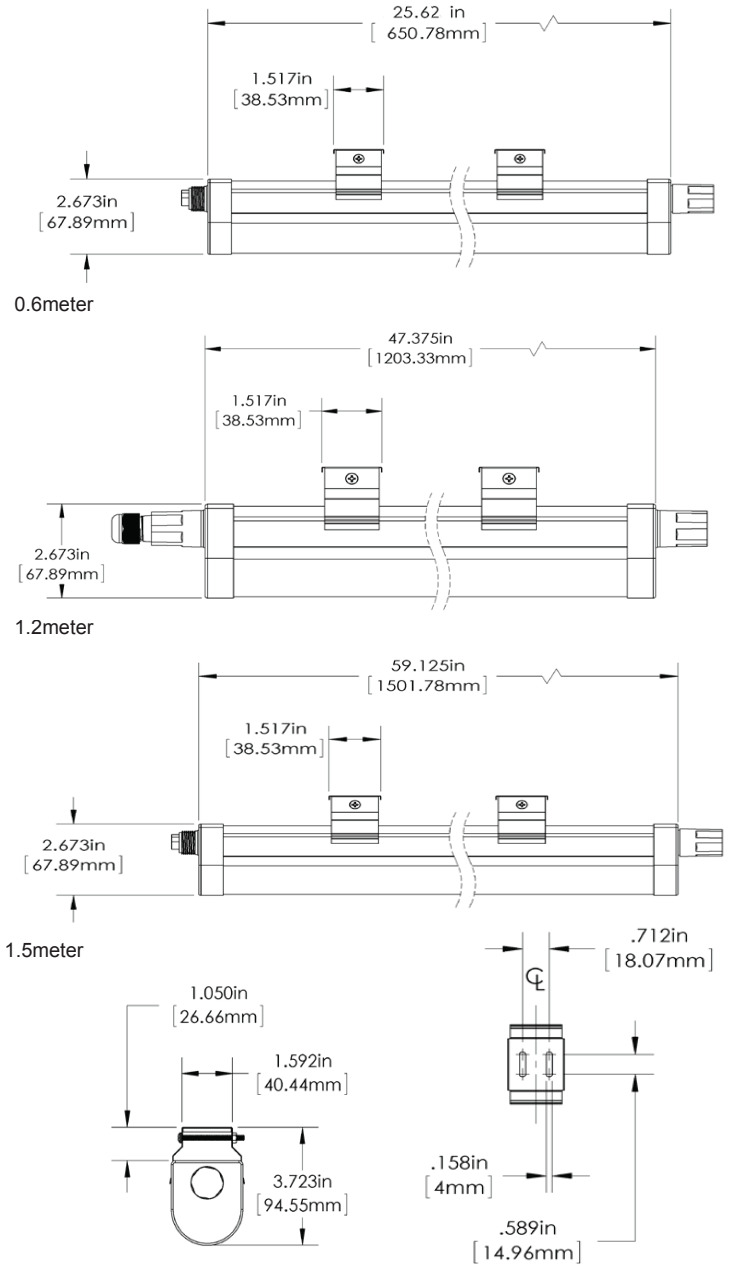
Optional Accessories(not inside)

- | | |
|--------------------|---------------------------|
| Hanging Kit | Male to Male Interconnect |
| Mounting Bracket | Female Power Connector |
| 15cm Interconnect | Powercord |
| 100cm Interconnect | |
| 200cm Interconnect | |

Specifications

Intensity (0.6meter 20W)	2200lumen
Intensity (1.2meter 40W,60W)	4800, 6600 lumen
Intensity (1.5meter 50W ,80W)	5600, 8800 lumen
Operating Voltage Range	100~277 VAC
Beam Angle	150 degree
LED Type	SMD 5630/SMD 2835
Color Temperature	3000K/4000K/5000K/6000K
CRI	85 CRI
Operating Temperature	-4 ~ 104°F (-20 ~ 45 °C)
IP Rating	IP65
Max Run (0.6meter 20W)	40PCS
Max Run (1.2meter 40W, 60W)	25PCS / 13PCS
Max Run (1.5meter 50W, 80W)	20PCS / 10PCS
Weight (0.6meter 20W)	0.85KG
Weight (1.2meter 40W,60W)	1.53KG, 1.73KG
Weight (1.5meter 50W,80W)	2.1KG, 2.5KG
Warranty	5 year

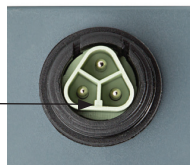
Dimension



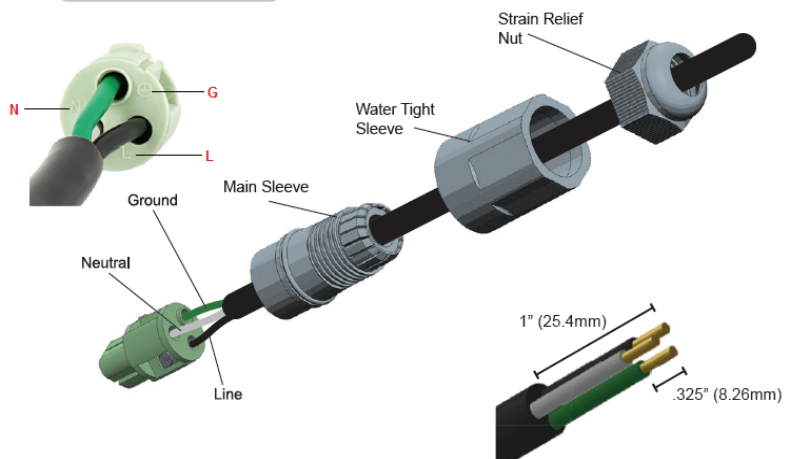
Connector Polarity



Align notch for proper polarity



Wiring Diagram



Rev Date: V2.0 1/11/2017

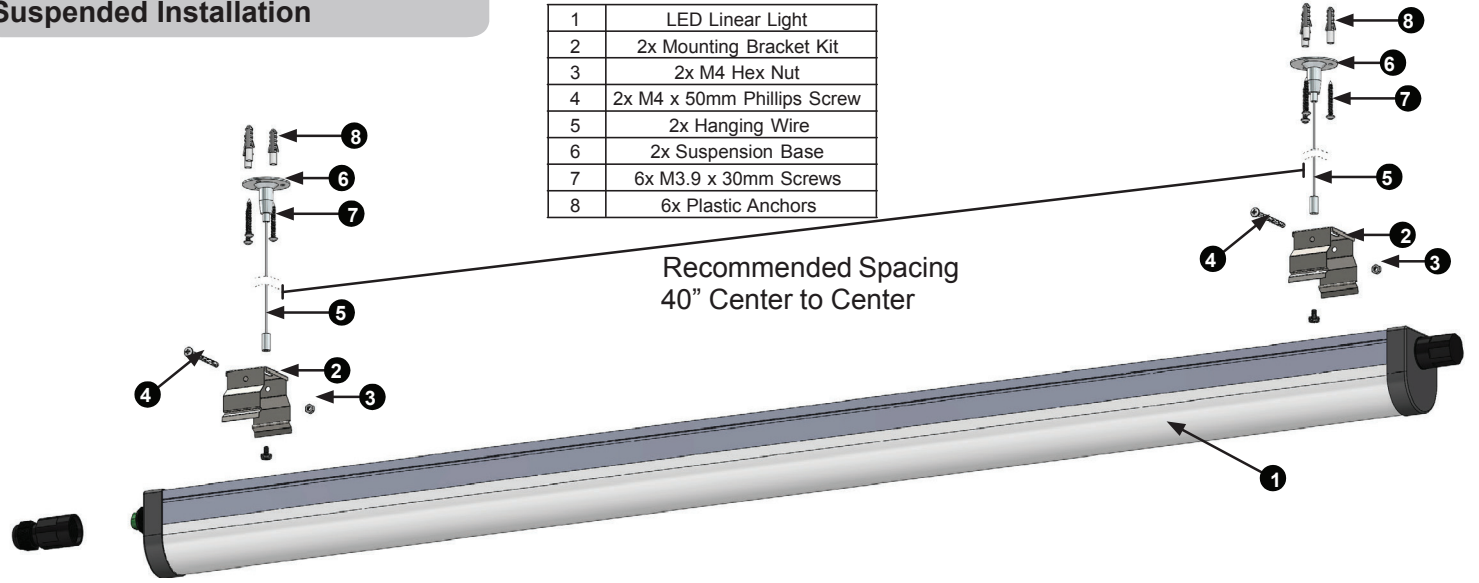
User Manual

IP65 Linkable LED Batten Light Fixture

Important: Read all instructions prior to installation

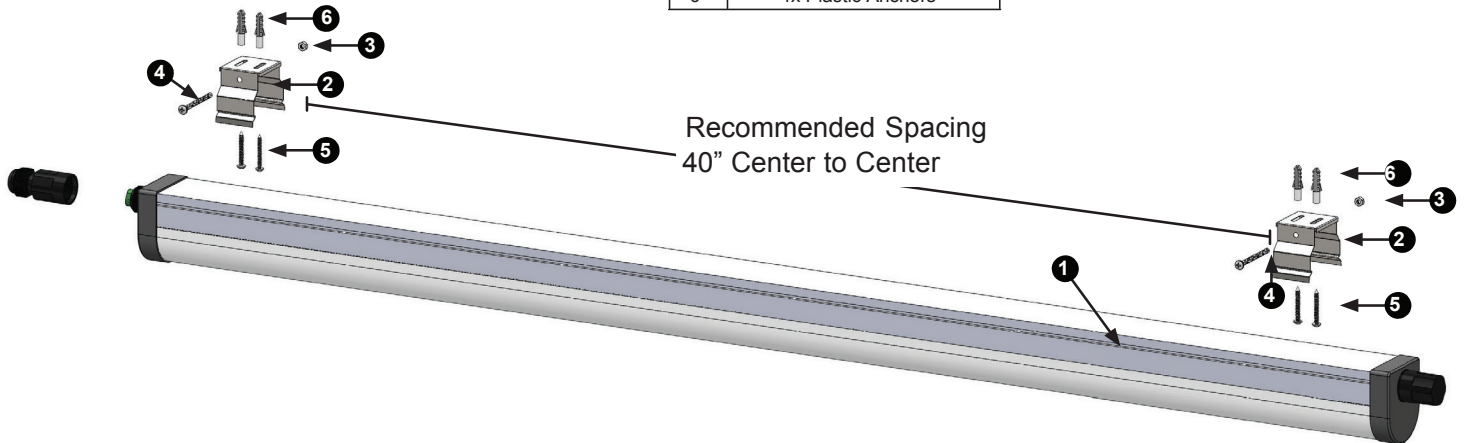
Suspended Installation

1	LED Linear Light
2	2x Mounting Bracket Kit
3	2x M4 Hex Nut
4	2x M4 x 50mm Phillips Screw
5	2x Hanging Wire
6	2x Suspension Base
7	6x M3.9 x 30mm Screws
8	6x Plastic Anchors



Ceiling/Wall Surface Mounted Installation

1	LED Linear Light
2	2x Mounting Bracket Kit
3	2x M4 Hex Nut
4	2x M4 x 50mm Phillips Screw
5	4x M3.9 x 30mm Screws
6	4x Plastic Anchors



Accessories

Hanging Kit



Interconnect Wire



Powercord



Female Power Connector



Male to Male Interconnect



Mounting Bracket

